

Specification Detail of Model LW133DD

Specification	
Product Model	LW133DD
Storage Capacity	13.4 cubic feet
Overall Wine Bottle Capacity (750ml Standard Bordueax)	133
Installation Type	built-in or freestanding
Color/Finish	black cabinet
Primary Material	metal, stainless steal, glass, wood, wire
Door Style	double pane, tinted
Cooling System	compressor
Defrost System	frost free
Anti-Vibration Technology	Yes
Ventilation Location	Front
Fan Type	Interior
Humidity Control	>65%
Integrated Lock	Yes
Quiet Operation	42 db
Stain Resistant	antirust coat
Odor Resistant	activated carbon filter
Leak-proof	water pan
Voltage	110-120 volts
Frequency	60Hz
Amperage	1.8 amperes
Estimated Yearly Electricity Use (kWh)	376
Est Yearly Operating Cost	\$49 USD
Country of Origin	China
Refrigerant	R600a
Interior Light	Yes
Bulb Type	white LED
Adjustable Feet	Yes (From 0 to 0.4 Inch)
Temperature Specification	
Temperature Zones	dual zone
Overall Minimum Temperature	41 degrees F
Overall Maximum Temperature	64 degrees F
First Zone Bottle Capacity	55
First Zone Minimum Temperature	41 degrees F



Your Professional Home and Commercial Appliances Supplier

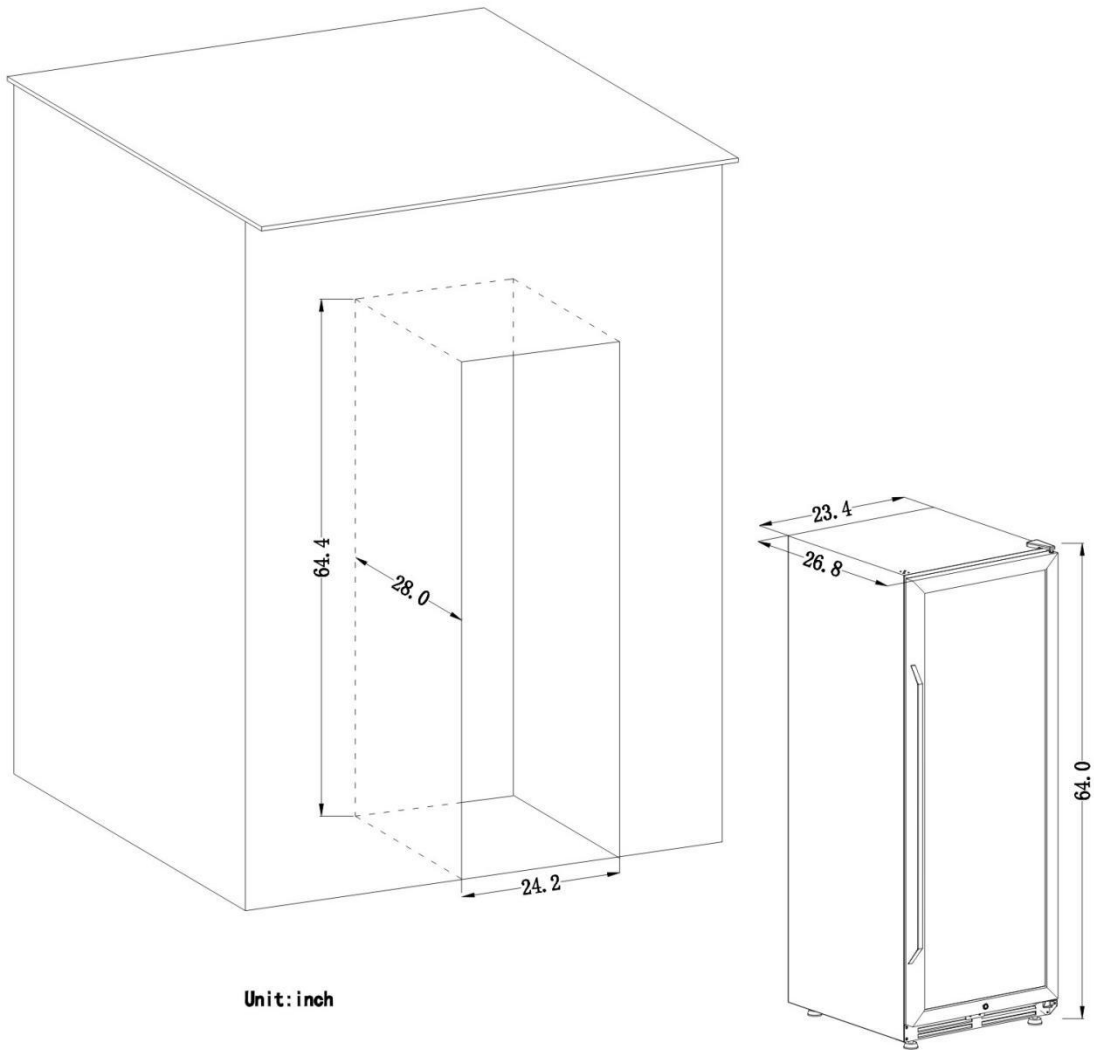
First Zone Maximum Temperature	64 degrees F
Second Zone Bottle Capacity	78
Second Zone Minimum Temperature	41 degrees F
Second Zone Maximum Temperature	64 degrees F
Wine Bottle Capacity	133
Temperature Display Type	touch screen
Doors	
Door Handle Design	external
Door Swing Orientation	left
Number of Doors	2
Door Material	tempered glass
Door Material Details	tinted double pane
Door Color/Finish	stainless steel
Door Opening Degree to Slide out Shelves	>90°
UV Resistant	Yes
Door Reversible	No
Shelves	
Adjustable Shelves to different heights	No
Number of Shelves	10 full shelves + 1 half shelf
Shelve Material	beech wood
Shelves slide out degree	75%
Full shelve size (Width x Depth x Height)	18.8x21.3x1.0inches
Half shelve size (Width x Depth x Height)	18.8x12.8x1.0inches
Certifications Listings&Approvals	
ETL Listed	Yes
ISO 9001 Certified	Yes
Unit Dimension and Weight	
Overall Height - Top to Bottom	64.6 inches
Overall Width - Side to Side	23.4 inches
Overall Depth - Front to Back	28.4 inches
Depth -Excluding Handles	26.8 inches
Interior Height - Top to Bottom	56.3 inches
Interior Width - Side to Side	20.6 inches
Interior Depth - Front to Back	21.4 inches
Upper Door Height - Top to Bottom	26.7 inches
Upper Door Width - Side to Side	23.5 inches
Upper Door Depth - Front to Back	1.3 inches
Lower Door Height - Top to Bottom	32.4 inches
Lower Door Width - Side to Side	23.5 inches
Lower Door Depth - Front to Back	1.3 inches
Depth With Door Open at 90 Degrees	49.0 inches



Your Professional Home and Commercial Appliances Supplier

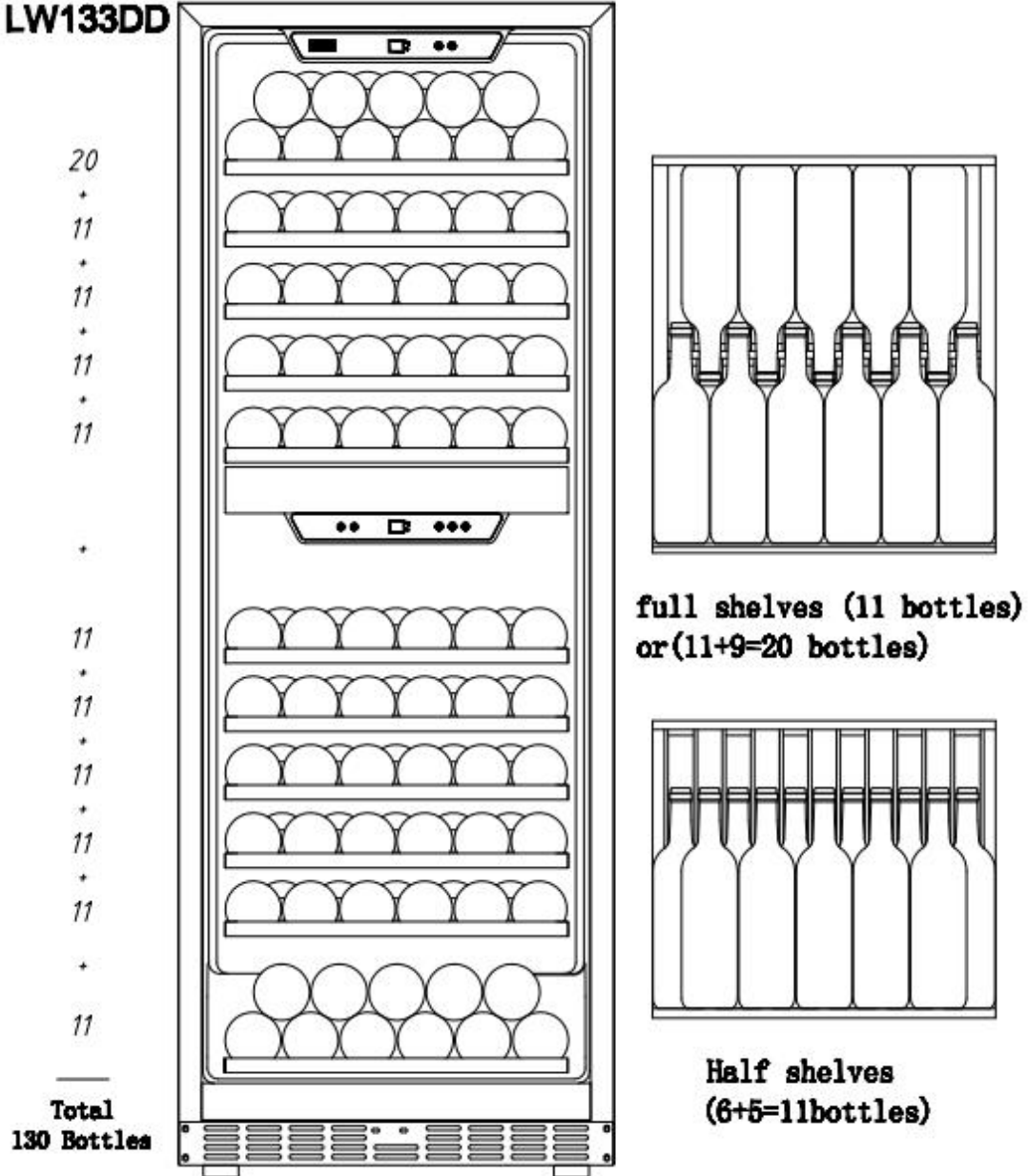
Cutout Width - Side to Side	24.2 inches
Cutout Depth - Front to Back	28.0 inches
Cutout Height - Top to Bottom	64.4 inches
Overall Product Weight Net Weight	200.6 Lbs
Shipping Weight with Panel	222.7 Lbs
Shipping Height - Top to Bottom with Panel	70.2 inches
Shipping Width - Side to Side	26.0 inches
Shipping Depth - Front to Back	30.3 inches
Installation and Usage	
Installation Required	No
Tools Needed for Installation	No
Additional Parts Required	No
Supplier Intended and Approved Use	residential and commercial use
Outdoor Use	No
Product Care	wipe clean with a dry cloth
Undercounter	No
Warranty	
Manufacturer Warranty (labor)	1 year
Manufacturer Warranty (parts)	1 year
What in the Box	
LW133DD Dual Zone Dual Door Wine Cooler	1 unit
User Manual	1 pc
Keys	2 pcs
Hinge cover	1 pc

The Smallest Space Left for Installing LW13DD



Storage Capacity

LW133DD



The bottle capacity is for standard Bordeaux 750ml bottles which are approximately 2.75" in diameter. Storing large and/or oddly shaped bottles (including champagne and sparkling wine bottles) should remove at least 1 shelf (shelves is removable) and will decrease the number of bottles you are able to store in your wine cooler.